

SolarEdge Home Hub Inverter - Single Phase

Quick Installation Guide
for Europe models SEXXXXH-RWBMNBF54



[solaredge.com](https://www.solaredge.com)

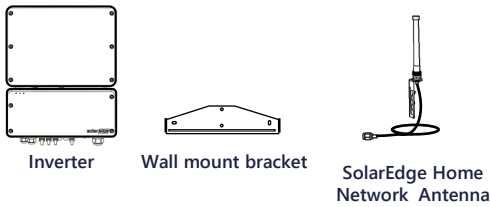
SolarEdge Technologies GmbH, Werner-Eckert-Str. 6, 81829 Munich, Germany
Subject to change without notice.
© SolarEdge Technologies, Ltd.
All rights reserved. July 2023. Rev 1.2



WARNING! To avoid danger, read the **HANDLING AND SAFETY INSTRUCTIONS** provided with this product, or refer to: https://www.solaredge.com/sites/default/files/se_handling_and_safety_instructions.pdf



What's in the Package



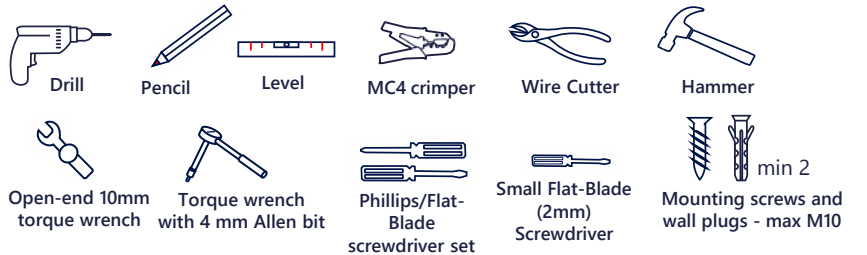
Before installation, read the datasheet provided with this product, or refer to: <https://knowledge-center.solaredge.com/sites/kc/files/se-home-hub-single-phase-inverter-datasheet-eu.pdf>



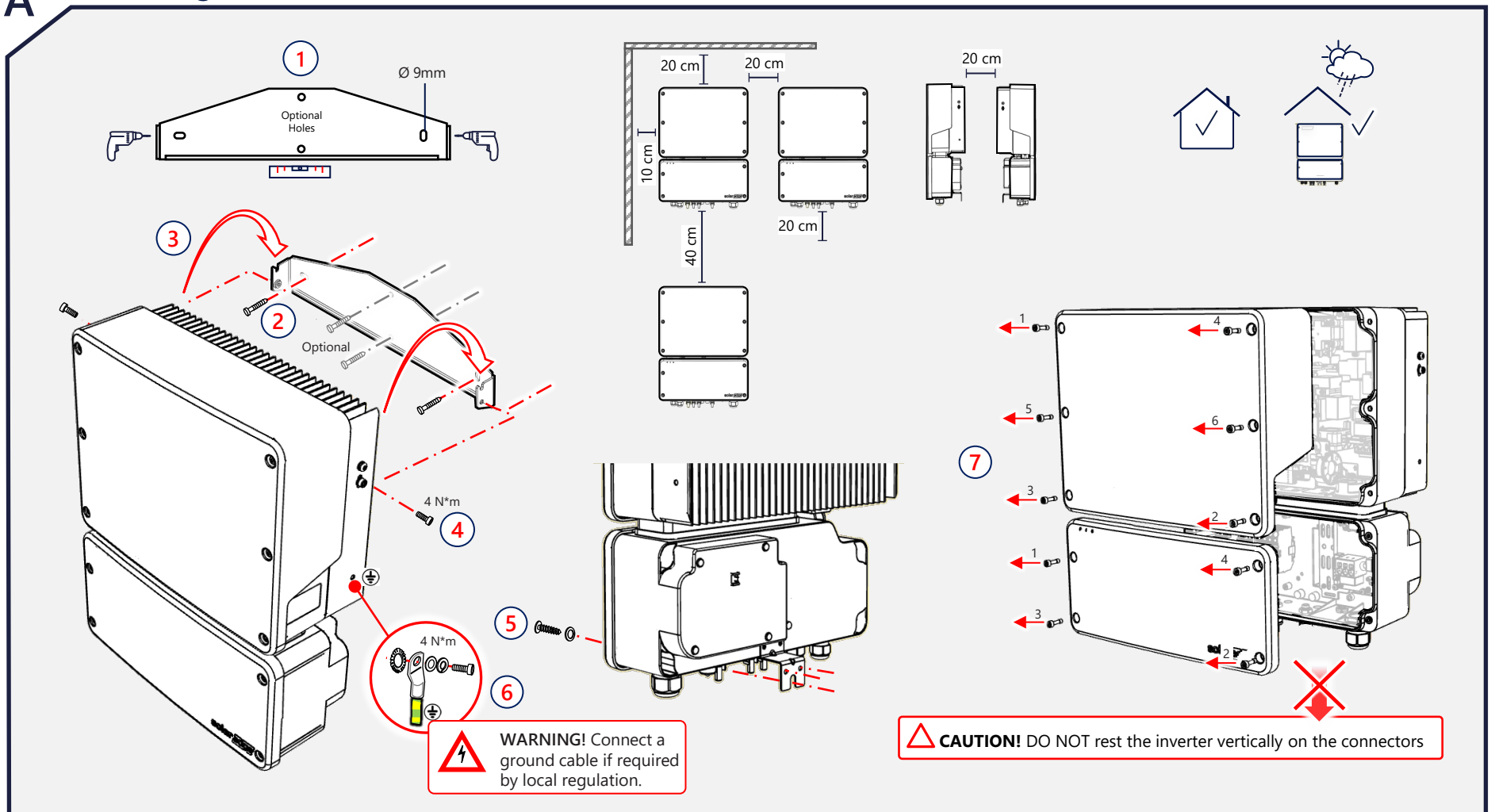
WARNING! This symbol denotes a hazard. It calls attention to a procedure that if not correctly performed or adhered to could result in injury or loss of life. Do not proceed beyond a warning note until the indicated conditions are fully understood and met.

CAUTION! Denotes a hazard. It calls attention to a procedure that, if not correctly performed or adhered to, could result in damage or destruction of the product. Do not proceed beyond a caution sign until the indicated conditions are fully understood and met.

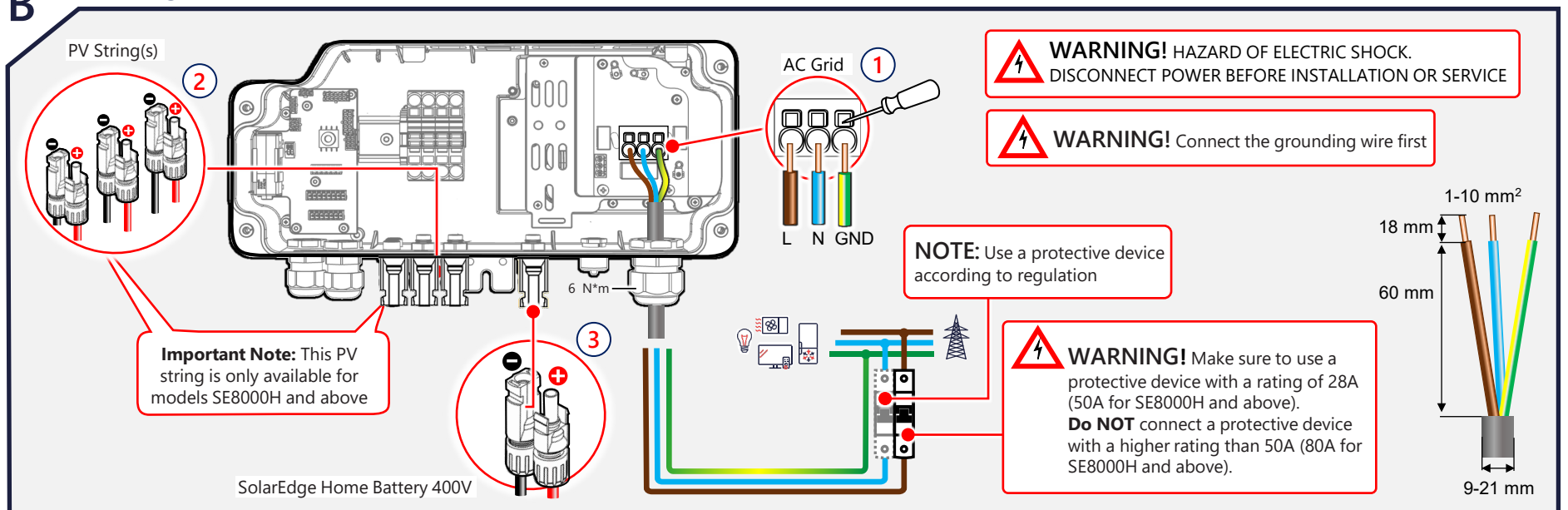
Tools and Materials



A Mounting



B Wiring

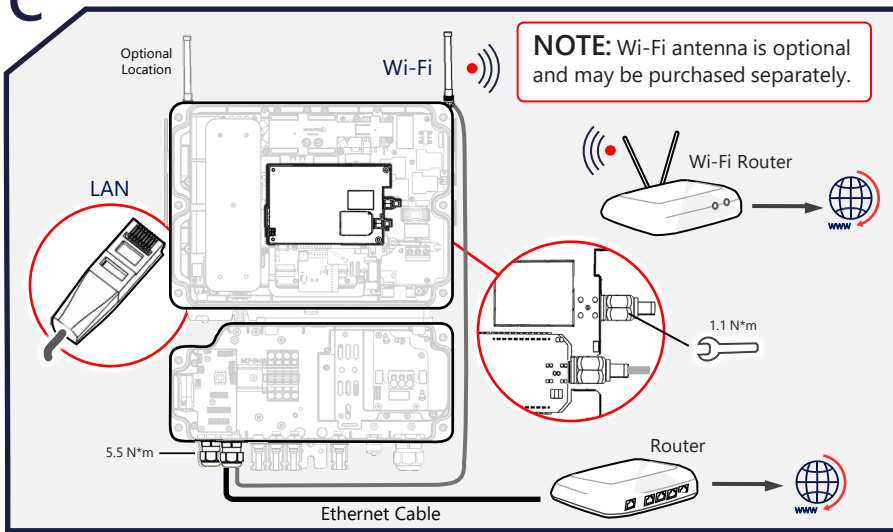


WARNING! Before installing or operating SolarEdge Home Battery 400V, read the safety and handling instructions provided with the battery.

IMPORTANT! The connection to units and accessories shown here is for reference only. For detailed information, refer to the specific product guide.

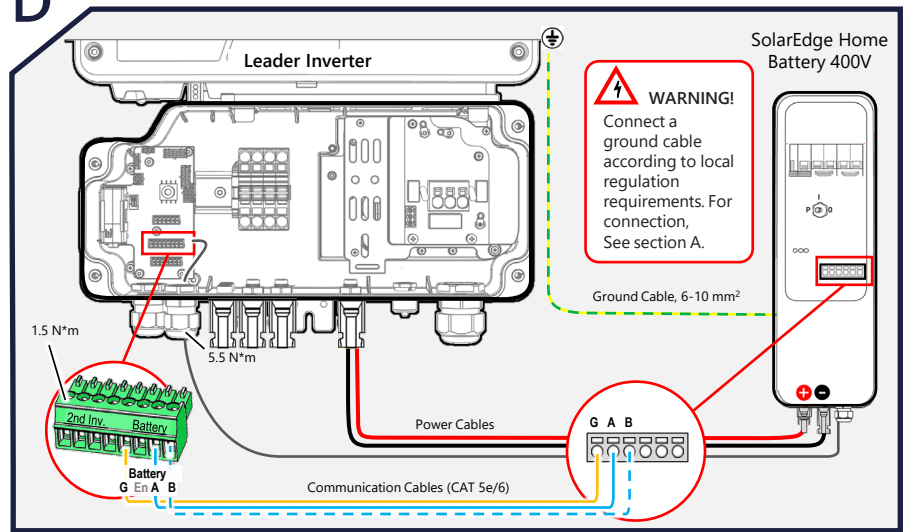
Connecting to LAN or Wi-Fi

In Leader/Follower configuration, LAN or Wi-Fi MUST connect to the Leader inverter



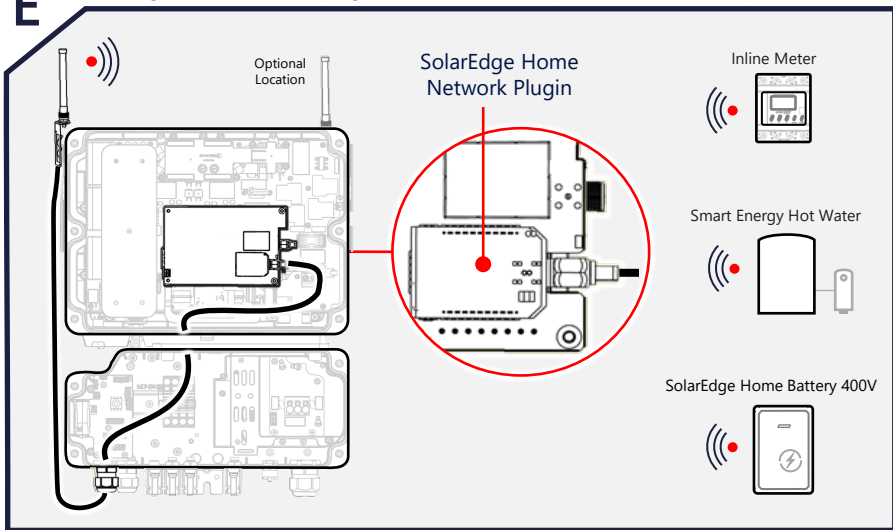
Connecting to SolarEdge Home Battery 400V

Optionally, connect battery communication wirelessly using SolarEdge Home Network plug-in. **IMPORTANT!** If wired communication is used, remove the SolarEdge Home Network plug-in before making wire connections. Reinstall the Plug-in after commissioning the inverter.

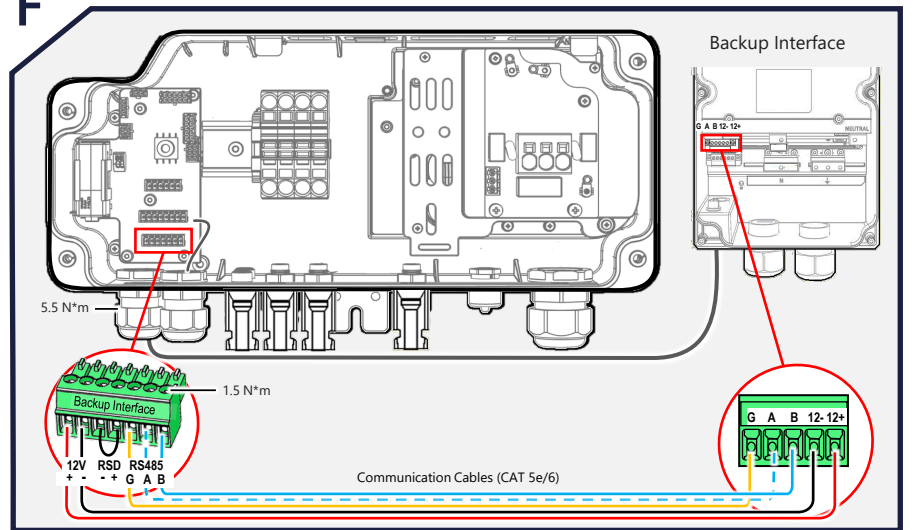


Connecting to SolarEdge Home Network

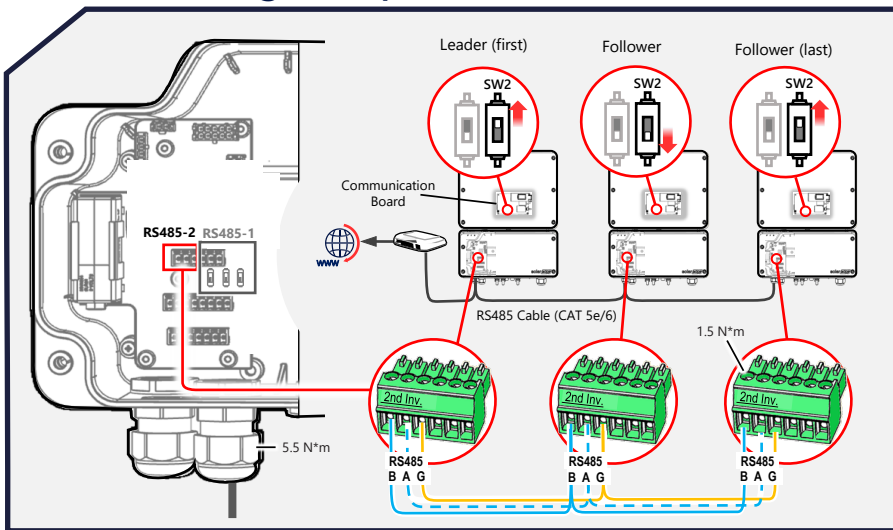
SolarEdge home network plug-in and antenna are pre-installed in this product.



Connecting to Backup Interface

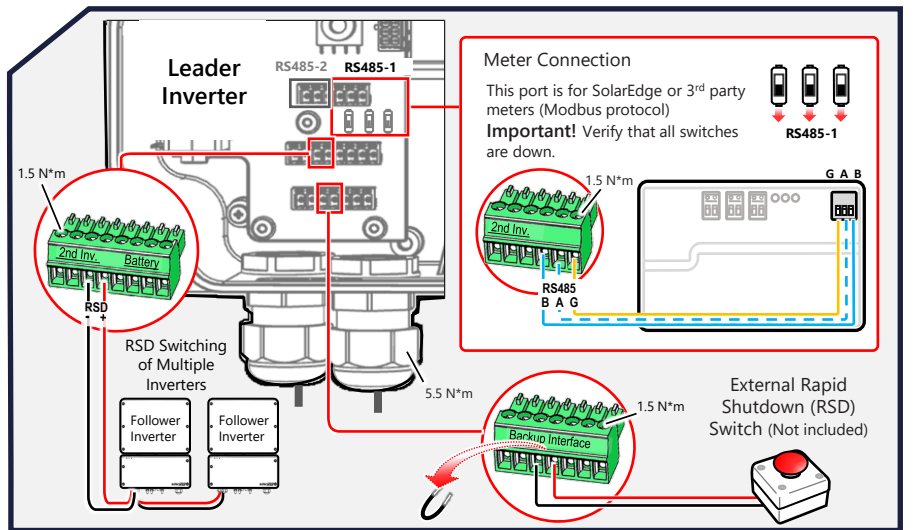


Connecting Multiple Inverters

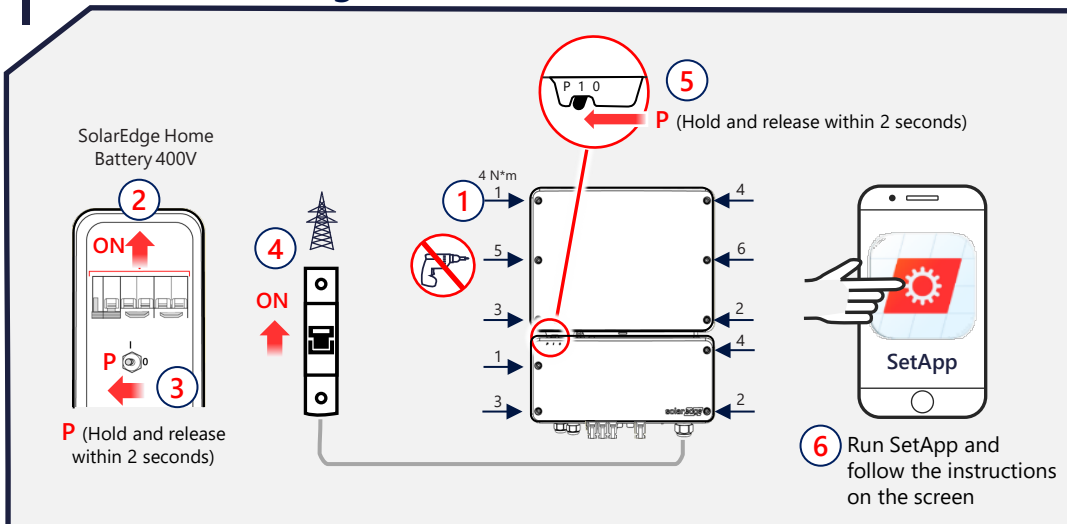


Connecting Meter and Rapid Shutdown (RSD) Switch

IMPORTANT! Remove the SolarEdge Home Network Plug-in before making wire connections. Reinstall the plug-in after commissioning the inverter.



Commissioning the Inverter



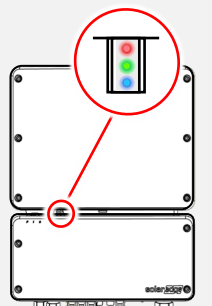
LED Indications

- Red: fault
- Green: power production,
- Blinking Green: Grid connection ok
- Blue: communication ok

For more indications refer to: <https://www.solaredge.com/leds>



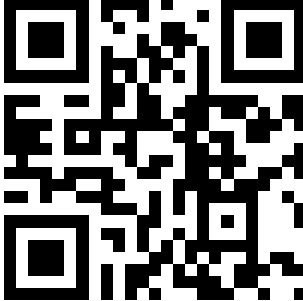
For remote status, fault indications, and system performance, refer to Remote Monitoring at: <https://www.solaredge.com/products/pv-monitoring/#/>



To view YouTube videos for installing, wiring, and commissioning SolarEdge Inverters, click on the links or scan the QR codes:

For more information on Installation:

<https://youtu.be/pjuo7KjRHXc>



For more information on Wiring:

https://youtu.be/o_EgCnL_r38



For more information on Commissioning:

https://youtu.be/JoiC4_H8sk

